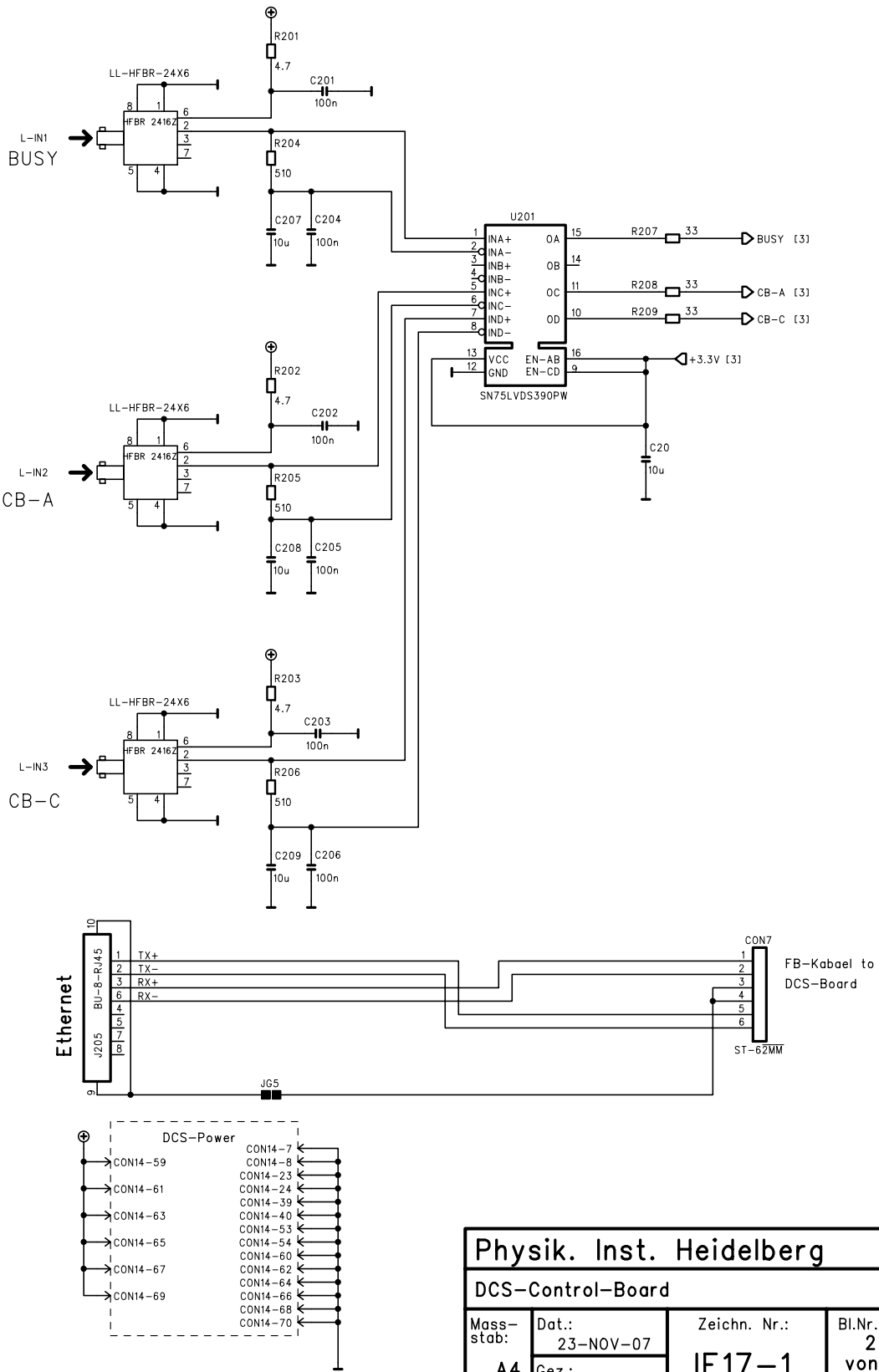


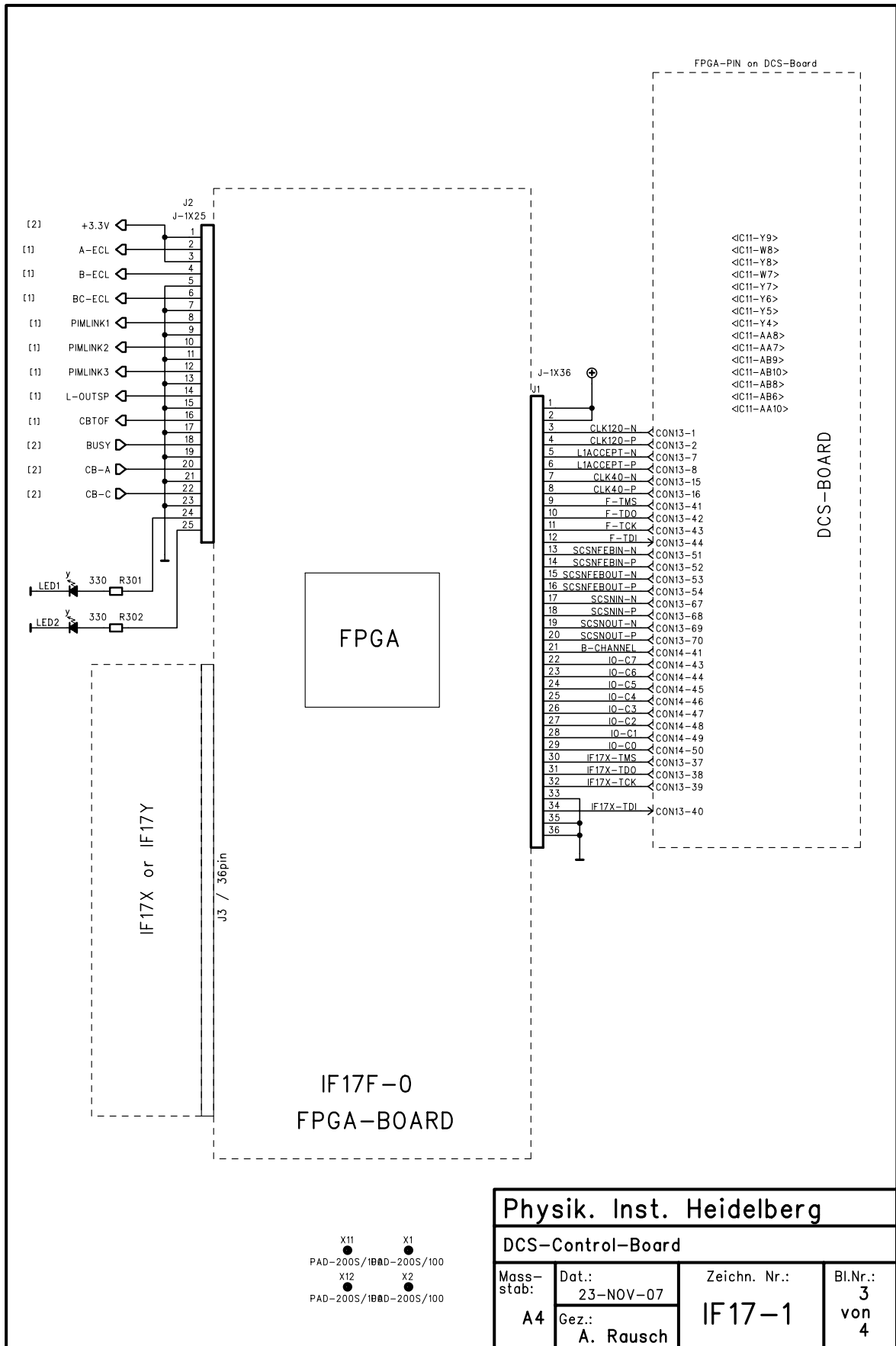
Physik. Inst. Heidelberg

DCS-Control-Board

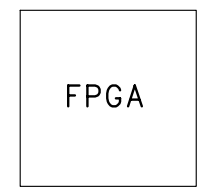
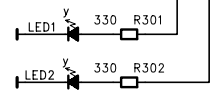
Massstab: A4	Dat.: 23-NOV-07 Gez.: A. Rausch	Zeichn. Nr.: IF17-1	Bl.Nr.: 1 von 4
-----------------	------------------------------------------	------------------------	--------------------------



Physik. Inst. Heidelberg			
DCS-Control-Board			
Massstab:	Dat.: 23-NOV-07	Zeichn. Nr.:	Bl.Nr.:
A4	Gez.: A. Rausch	IF17-1	2 von 4



- [2] +3.3V
- [1] A-ECL
- [1] B-ECL
- [1] BC-ECL
- [1] PIMLINK1
- [1] PIMLINK2
- [1] PIMLINK3
- [1] L-OUTSP
- [1] CBT0F
- [2] BUSY
- [2] CB-A
- [2] CB-C



IF17F-0
FPGA-BOARD

- 1
- 2
- 3 CLK120-N CON13-1
- 4 CLK120-P CON13-2
- 5 LIACCEPT-N CON13-7
- 6 LIACCEPT-P CON13-8
- 7 CLK40-N CON13-15
- 8 CLK40-P CON13-16
- 9 F-TMS CON13-41
- 10 F-TD0 CON13-42
- 11 F-TCK CON13-43
- 12 F-TDI CON13-44
- 13 SCSNFBIN-N CON13-51
- 14 SCSNFBIN-P CON13-52
- 15 SCSNFBOUT-N CON13-53
- 16 SCSNFBOUT-P CON13-54
- 17 SCSNIN-N CON13-67
- 18 SCSNIN-P CON13-68
- 19 SCSNOUT-N CON13-69
- 20 SCSNOUT-P CON13-70
- 21 B-CHANNEL CON14-41
- 22 IQ-C7 CON14-43
- 23 IQ-C6 CON14-44
- 24 IQ-C5 CON14-45
- 25 IQ-C4 CON14-46
- 26 IQ-C3 CON14-47
- 27 IQ-C2 CON14-48
- 28 IQ-C1 CON14-49
- 29 IQ-C0 CON14-50
- 30 IF17X-TMS CON13-37
- 31 IF17X-TD0 CON13-38
- 32 IF17X-TCK CON13-39
- 33
- 34 IF17X-TDI CON13-40
- 35
- 36

FPGA-PIN on DCS-Board

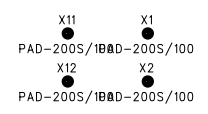
- <IC11-Y9>
- <IC11-W8>
- <IC11-Y8>
- <IC11-W7>
- <IC11-Y7>
- <IC11-Y6>
- <IC11-Y5>
- <IC11-Y4>
- <IC11-AA8>
- <IC11-AA7>
- <IC11-AB9>
- <IC11-AB10>
- <IC11-AB8>
- <IC11-AB6>
- <IC11-AA10>

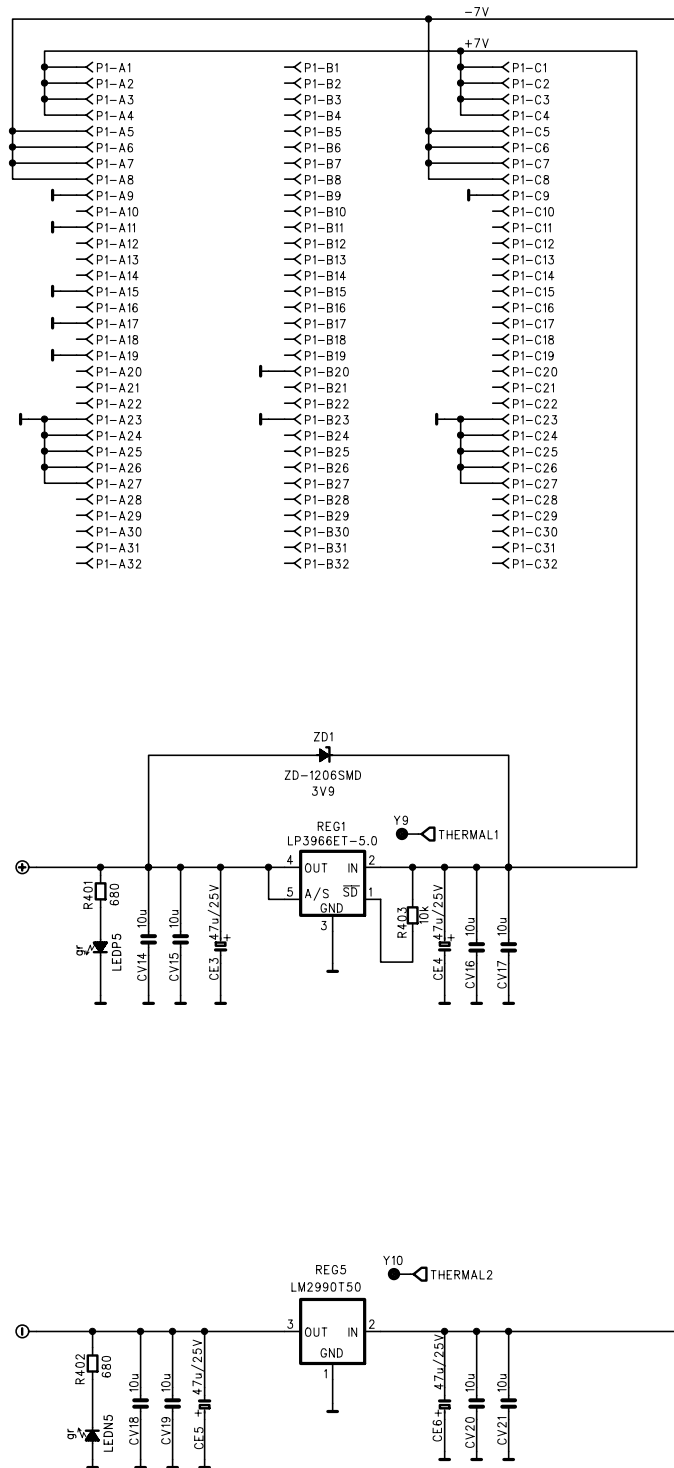
DCS-BOARD

IF17X or IF17Y

J3 / 36pin

Physik. Inst. Heidelberg			
DCS-Control-Board			
Massstab:	Dat.: 23-NOV-07	Zeichn. Nr.:	Bl.Nr.:
A4	Gez.: A. Rausch	IF17-1	3 von 4





Y1 Y2 ● ● X3 X4 X5 X6 X7 X8 X9 X10 ● ● ● ● ● ● ● ● ● ●

Physik. Inst. Heidelberg			
DCS-Control-Board			
Massstab:	Dat.: 23-NOV-07	Zeichn. Nr.:	Bl.Nr.:
A4	Gez.: A. Rausch	IF17-1	4 von 4